



10.10/88° - 90°	KG	PITUUS																									
<table border="1" style="margin-left: 100px;"> <thead> <tr> <th><math>\alpha</math></th> <th>R</th> <th>H</th> <th>H1</th> </tr> </thead> <tbody> <tr> <td>88°</td> <td>0.2</td> <td>67</td> <td>97</td> </tr> <tr> <td>88°</td> <td>0.8</td> <td>66.7</td> <td>96.7</td> </tr> <tr> <td>88°</td> <td>3</td> <td>65.7</td> <td>95.7</td> </tr> <tr> <td>90°</td> <td>0.2</td> <td>67</td> <td>97</td> </tr> <tr> <td>90°</td> <td>0.8</td> <td>66.7</td> <td>96.7</td> </tr> </tbody> </table> <p style="text-align: right;">100 T/m</p>	$\alpha$	R	H	H1	88°	0.2	67	97	88°	0.8	66.7	96.7	88°	3	65.7	95.7	90°	0.2	67	97	90°	0.8	66.7	96.7	6	415 mm.	
	$\alpha$	R	H	H1																							
	88°	0.2	67	97																							
88°	0.8	66.7	96.7																								
88°	3	65.7	95.7																								
90°	0.2	67	97																								
90°	0.8	66.7	96.7																								
12	835 mm.																										
12	835 mm. palas.																										
10.116/88° - 90°	KG	PITUUS																									
<p style="text-align: right;">15 T/m</p>	5	415 mm.																									
	10	835 mm.																									
	10	835 mm. palas.																									
10.200/88° 10.201/90°	KG	PITUUS																									
<table border="1" style="margin-left: 100px;"> <thead> <tr> <th><math>\alpha</math></th> <th>R</th> <th>H</th> <th>H1</th> </tr> </thead> <tbody> <tr> <td>88°</td> <td>0.2</td> <td>70</td> <td>100</td> </tr> <tr> <td>88°</td> <td>0.8</td> <td>69.7</td> <td>99.7</td> </tr> <tr> <td>90°</td> <td>0.2</td> <td>70</td> <td>100</td> </tr> </tbody> </table> <p style="text-align: right;">30 T/m</p>	$\alpha$	R	H	H1	88°	0.2	70	100	88°	0.8	69.7	99.7	90°	0.2	70	100	4	415 mm.									
	$\alpha$	R	H	H1																							
	88°	0.2	70	100																							
88°	0.8	69.7	99.7																								
90°	0.2	70	100																								
8	835 mm.																										
8	835 mm. palas.																										
10.202/88° 10.203/90°	KG	PITUUS																									
<table border="1" style="margin-left: 100px;"> <thead> <tr> <th><math>\alpha</math></th> <th>R</th> <th>H</th> <th>H1</th> </tr> </thead> <tbody> <tr> <td>88°</td> <td>0.2</td> <td>100</td> <td>130</td> </tr> <tr> <td>88°</td> <td>0.8</td> <td>99.7</td> <td>129.7</td> </tr> <tr> <td>88°</td> <td>0.8</td> <td>99.7</td> <td>129.7</td> </tr> <tr> <td>90°</td> <td>0.2</td> <td>100</td> <td>130</td> </tr> </tbody> </table> <p style="text-align: right;">30 T/m</p>	$\alpha$	R	H	H1	88°	0.2	100	130	88°	0.8	99.7	129.7	88°	0.8	99.7	129.7	90°	0.2	100	130	5	415 mm.					
	$\alpha$	R	H	H1																							
	88°	0.2	100	130																							
88°	0.8	99.7	129.7																								
88°	0.8	99.7	129.7																								
90°	0.2	100	130																								
10	835 mm.																										
10	835 mm. palas.																										



10.14/88° - 90°	KG	PITUUS																									
<table border="1" style="margin-left: 100px;"> <thead> <tr> <th><math>\alpha</math></th> <th>R</th> <th>H</th> <th>H1</th> </tr> </thead> <tbody> <tr> <td>88°</td> <td>0.2</td> <td>90</td> <td>120</td> </tr> <tr> <td>88°</td> <td>0.8</td> <td>89.7</td> <td>119.7</td> </tr> <tr> <td>88°</td> <td>3</td> <td>88.7</td> <td>118.7</td> </tr> <tr> <td>90°</td> <td>0.2</td> <td>90</td> <td>120</td> </tr> <tr> <td>90°</td> <td>0.8</td> <td>89.7</td> <td>119.7</td> </tr> </tbody> </table>	$\alpha$	R	H	H1	88°	0.2	90	120	88°	0.8	89.7	119.7	88°	3	88.7	118.7	90°	0.2	90	120	90°	0.8	89.7	119.7	10,5	415 mm.	
	$\alpha$	R	H	H1																							
	88°	0.2	90	120																							
88°	0.8	89.7	119.7																								
88°	3	88.7	118.7																								
90°	0.2	90	120																								
90°	0.8	89.7	119.7																								
21	835 mm.																										
21	835 mm. palas.																										
10.146/88° - 90°	KG	PITUUS																									
<table border="1" style="margin-left: 100px;"> <thead> <tr> <th><math>\alpha</math></th> <th>R</th> <th>H</th> <th>H1</th> </tr> </thead> <tbody> <tr> <td>88°</td> <td>0.2</td> <td>90</td> <td>120</td> </tr> <tr> <td>88°</td> <td>0.8</td> <td>89.7</td> <td>119.7</td> </tr> <tr> <td>90°</td> <td>0.2</td> <td>90</td> <td>120</td> </tr> <tr> <td>90°</td> <td>0.8</td> <td>89.7</td> <td>119.7</td> </tr> </tbody> </table>	$\alpha$	R	H	H1	88°	0.2	90	120	88°	0.8	89.7	119.7	90°	0.2	90	120	90°	0.8	89.7	119.7	10	415 mm.					
	$\alpha$	R	H	H1																							
	88°	0.2	90	120																							
88°	0.8	89.7	119.7																								
90°	0.2	90	120																								
90°	0.8	89.7	119.7																								
20	835 mm.																										
20	835 mm. palas.																										
10.15/88° - 90°	KG	PITUUS																									
<table border="1" style="margin-left: 100px;"> <thead> <tr> <th><math>\alpha</math></th> <th>R</th> <th>H</th> <th>H1</th> </tr> </thead> <tbody> <tr> <td>88°</td> <td>0.2</td> <td>105</td> <td>135</td> </tr> <tr> <td>88°</td> <td>0.8</td> <td>104.7</td> <td>134.7</td> </tr> <tr> <td>88°</td> <td>3</td> <td>103.7</td> <td>133.7</td> </tr> <tr> <td>90°</td> <td>0.2</td> <td>105</td> <td>135</td> </tr> <tr> <td>90°</td> <td>0.8</td> <td>104.7</td> <td>134.7</td> </tr> </tbody> </table>	$\alpha$	R	H	H1	88°	0.2	105	135	88°	0.8	104.7	134.7	88°	3	103.7	133.7	90°	0.2	105	135	90°	0.8	104.7	134.7	11	415 mm.	
	$\alpha$	R	H	H1																							
	88°	0.2	105	135																							
88°	0.8	104.7	134.7																								
88°	3	103.7	133.7																								
90°	0.2	105	135																								
90°	0.8	104.7	134.7																								
22	835 mm.																										
22	835 mm. palas.																										
10.047/88° 10.048/90°	KG	PITUUS																									
<table border="1" style="margin-left: 100px;"> <thead> <tr> <th><math>\alpha</math></th> <th>R</th> <th>H</th> <th>H1</th> </tr> </thead> <tbody> <tr> <td>88°</td> <td>0.2</td> <td>120</td> <td>150</td> </tr> <tr> <td>88°</td> <td>0.8</td> <td>119.7</td> <td>149.7</td> </tr> <tr> <td>90°</td> <td>0.2</td> <td>120</td> <td>150</td> </tr> <tr> <td>90°</td> <td>0.8</td> <td>119.7</td> <td>149.7</td> </tr> </tbody> </table>	$\alpha$	R	H	H1	88°	0.2	120	150	88°	0.8	119.7	149.7	90°	0.2	120	150	90°	0.8	119.7	149.7	13,5	415 mm.					
	$\alpha$	R	H	H1																							
	88°	0.2	120	150																							
88°	0.8	119.7	149.7																								
90°	0.2	120	150																								
90°	0.8	119.7	149.7																								
26	835 mm.																										
26	835 mm. palas.																										



<b>10.16/88° - 90°</b>	<b>KG</b>	<b>PITUUS</b>																	
	8,5	415 mm.																	
	17	835 mm.																	
	17	835 mm. palas.																	
<b>10.108/90° 10.109/88°</b>	<b>KG</b>	<b>PITUUS</b>																	
<table border="1" data-bbox="399 940 558 1030"> <thead> <tr> <th><math>\alpha</math></th> <th>R</th> <th>H</th> <th>H1</th> </tr> </thead> <tbody> <tr> <td>88°</td> <td>0.2</td> <td>95</td> <td>125</td> </tr> <tr> <td>88°</td> <td>0.8</td> <td>94.7</td> <td>124.7</td> </tr> <tr> <td>90°</td> <td>0.2</td> <td>95</td> <td>125</td> </tr> </tbody> </table>	$\alpha$	R	H	H1	88°	0.2	95	125	88°	0.8	94.7	124.7	90°	0.2	95	125	5	415 mm.	
	$\alpha$	R	H	H1															
	88°	0.2	95	125															
88°	0.8	94.7	124.7																
90°	0.2	95	125																
10	835 mm.																		
10	835 mm. palas.																		
<b>10.18/26°</b>	<b>KG</b>	<b>PITUUS</b>																	
	7	415 mm.																	
	14,5	835 mm.																	
	14,5	835 mm. palas.																	
<b>10.103/30°</b>	<b>KG</b>	<b>PITUUS</b>																	
	4,5	415 mm.																	
	9	835 mm.																	
	9	835 mm. palas.																	



<b>10.210/30°</b>	<b>KG</b>	<b>PITUUS</b>	
	7,5	415 mm.	
	15	835 mm.	
	15	835 mm. palas.	
<b>10.12/35°</b>	<b>KG</b>	<b>PITUUS</b>	
	6	415 mm.	
	12	835 mm.	
	12	835 mm. palas.	
<b>10.11/35°</b>	<b>KG</b>	<b>PITUUS</b>	
	5	415 mm.	
	10	835 mm.	
	10	835 mm. palas.	
<b>10.11/45°</b>	<b>KG</b>	<b>PITUUS</b>	
	5	415 mm.	
	10	835 mm.	
	10	835 mm. palas.	



10.13/35°	KG	PITUUS	
	6	415 mm.	
	13	835 mm.	
	13	835 mm. palas.	
10.13/60°	KG	PITUUS	
	6,5	415 mm.	
	13	835 mm.	
	13	835 mm. palas.	
10.20/60°	KG	PITUUS	
	5	415 mm.	
	10	835 mm.	
	10	835 mm. palas.	
10.17/35° 40.08	KG	PITUUS	
	3	415 mm. (10.17)	
	6	835 mm. (10.17)	
	3	412 mm. (40.08)	
	6	830 mm. (40.08)	

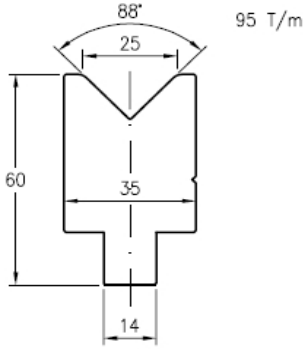
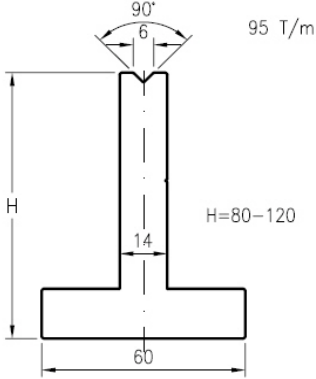
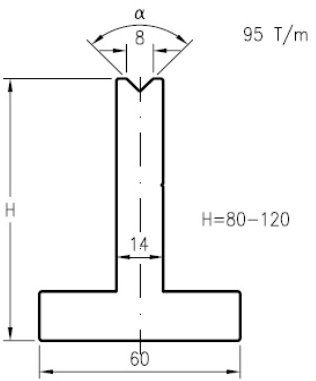
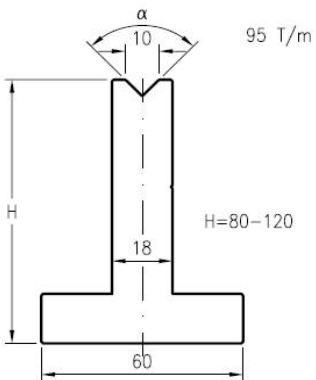


<b>70.88° 70.90°</b>	<b>KG</b>	<b>PITUUS</b>
	3	415 mm.
	5,5	835 mm.
	5,5	835 mm. palas.
<b>71.88° 71.90°</b>	<b>KG</b>	<b>PITUUS</b>
	3	415 mm.
	5,5	835 mm.
	5,5	835 mm. palas.
<b>72.88° 73.90°</b>	<b>KG</b>	<b>PITUUS</b>
	3	415 mm.
	5,5	835 mm.
	5,5	835 mm. palas.
<b>74.88° 75.90°</b>	<b>KG</b>	<b>PITUUS</b>
	3	415 mm.
	6	835 mm.
	6	835 mm. palas.



<b>76.88°</b>	<b>KG</b>	<b>PITUUS</b>	
	3	415 mm.	
	6	835 mm.	
	6	835 mm. palas.	
<b>77.88°</b>	<b>KG</b>	<b>PITUUS</b>	
	3,5	415 mm.	
	7	835 mm.	
	7	835 mm. palas.	
<b>78.88°</b>	<b>KG</b>	<b>PITUUS</b>	
	4	415 mm.	
	8	835 mm.	
	8	835 mm. palas.	
<b>79.88°</b>	<b>KG</b>	<b>PITUUS</b>	
	5	415 mm.	
	10	835 mm.	
	10	835 mm. palas.	



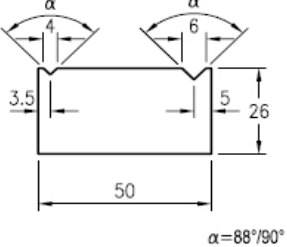
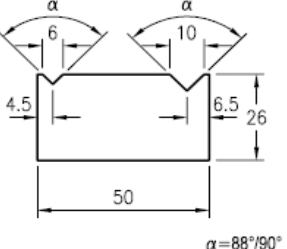
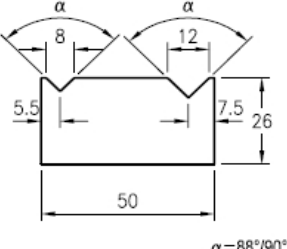
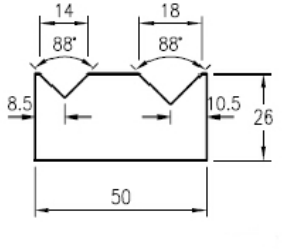
80.88°	KG	PITUUS	
	<p>6</p> <p>12</p> <p>12</p>	<p>415 mm.</p> <p>835 mm.</p> <p>835 mm. palas.</p>	
20.41/90°	KG	PITUUS	
	<p>6</p> <p>12</p> <p>12</p> <p>8</p> <p>16</p> <p>16</p>	<p>H= 80 mm.</p> <p>415 mm.</p> <p>835 mm.</p> <p>835 mm. palas.</p> <p>H= 120 mm.</p> <p>415 mm.</p> <p>835 mm.</p> <p>835 mm. palas.</p>	
20.42/88° - 90°	KG	PITUUS	
	<p>6</p> <p>12</p> <p>12</p> <p>8</p> <p>16</p> <p>16</p>	<p>H= 80 mm.</p> <p>415 mm.</p> <p>835 mm.</p> <p>835 mm. palas.</p> <p>H= 120 mm.</p> <p>415 mm.</p> <p>835 mm.</p> <p>835 mm. palas.</p>	
20.43/88° - 90°	KG	PITUUS	
	<p>6,5</p> <p>13</p> <p>13</p> <p>9</p> <p>18</p> <p>18</p>	<p>H= 80 mm.</p> <p>415 mm.</p> <p>835 mm.</p> <p>835 mm. palas.</p> <p>H= 120 mm.</p> <p>415 mm.</p> <p>835 mm.</p> <p>835 mm. palas.</p>	



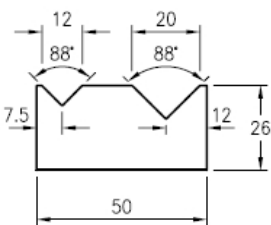
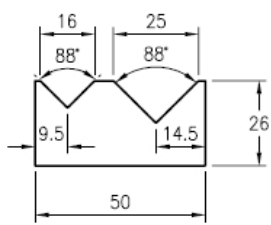
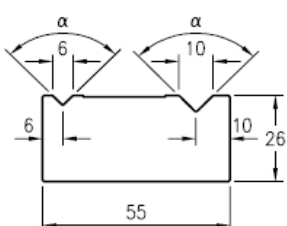
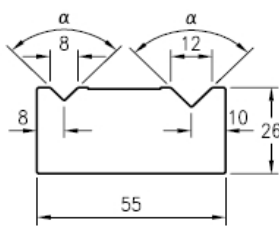


20.44/88° - 90°	KG	PITUUS	
	6,5 13 13  9 18 18	H= 80 mm. 415 mm. 835 mm. 835 mm. palas.  H= 120 mm. 415 mm. 835 mm. 835 mm. palas.	
20.45/88°	KG	PITUUS	
	7 14 14  11 22 22	H= 80 mm. 415 mm. 835 mm. 835 mm. palas.  H= 120 mm. 415 mm. 835 mm. 835 mm. palas.	
20.46/88°	KG	PITUUS	
	7,5 15 15  11,5 23 23	H= 80 mm. 415 mm. 835 mm. 835 mm. palas.  H= 120 mm. 415 mm. 835 mm. 835 mm. palas.	
20.47/85°	KG	PITUUS	
	8,5 17 17  13 26 26	H= 80 mm. 415 mm. 835 mm. 835 mm. palas.  H= 120 mm. 415 mm. 835 mm. 835 mm. palas.	

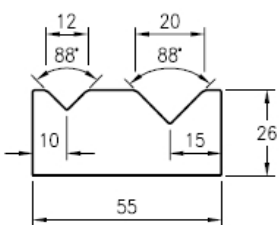
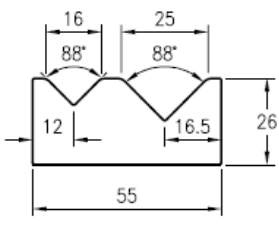
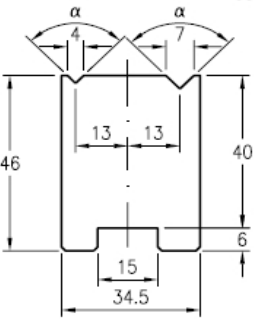
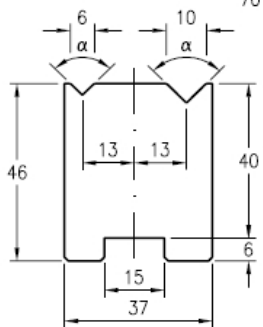


121/88° - 90°	KG	PITUUS	
<p>60 T/m</p>  <p><math>\alpha=88^\circ/90^\circ</math></p>	<p>5</p> <p>10</p>	<p>415 mm.</p> <p>835 mm.</p>	
123/88° - 90°	KG	PITUUS	
<p>70 T/m</p>  <p><math>\alpha=88^\circ/90^\circ</math></p>	<p>5</p> <p>10</p>	<p>415 mm.</p> <p>835 mm.</p>	
124/88° - 90°	KG	PITUUS	
<p>80 T/m</p>  <p><math>\alpha=88^\circ/90^\circ</math></p>	<p>5</p> <p>10</p>	<p>415 mm.</p> <p>835 mm.</p>	
125/88°	KG	PITUUS	
<p>100 T/m</p> 	<p>4,5</p> <p>9</p>	<p>415 mm.</p> <p>835 mm.</p>	



126/88°	KG	PITUUS	
<p style="text-align: right;">100 T/m</p> 	<p>4,5</p> <p>9</p>	<p>415 mm.</p> <p>835 mm.</p>	
127/88°	KG	PITUUS	
<p style="text-align: right;">70 T/m</p> 	<p>4</p> <p>8</p>	<p>415 mm.</p> <p>835 mm.</p>	
20.12/88° - 90°	KG	PITUUS	
<p style="text-align: right;">80 T/m</p> 	<p>4,5</p> <p>9</p>	<p>415 mm.</p> <p>835 mm.</p>	
20.13/88° - 90°	KG	PITUUS	
<p style="text-align: right;">80 T/m</p> 	<p>4,5</p> <p>9</p>	<p>415 mm.</p> <p>835 mm.</p>	



<b>20.14/88°</b>	<b>KG</b>	<b>PITUUS</b>	
<p>100 T/m</p> 	<p>4</p> <p>8</p>	<p>415 mm.</p> <p>835 mm.</p>	
<b>20.15/88°</b>	<b>KG</b>	<b>PITUUS</b>	
<p>100 T/m</p> 	<p>3,5</p> <p>7</p>	<p>415 mm.</p> <p>835 mm.</p>	
<b>501/88° - 90°</b>	<b>KG</b>	<b>PITUUS</b>	
<p>60 T/m</p> 	<p>5</p> <p>10</p> <p>10</p>	<p>415 mm.</p> <p>835 mm.</p> <p>835 mm. palas.</p>	
<b>502/88° - 90°</b>	<b>KG</b>	<b>PITUUS</b>	
<p>70 T/m</p> 	<p>5</p> <p>10</p> <p>10</p>	<p>415 mm.</p> <p>835 mm.</p> <p>835 mm. palas.</p>	

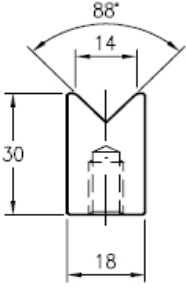
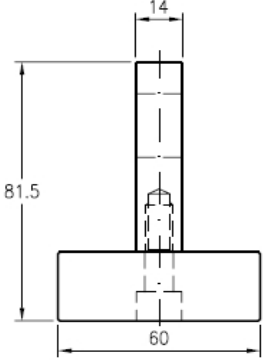
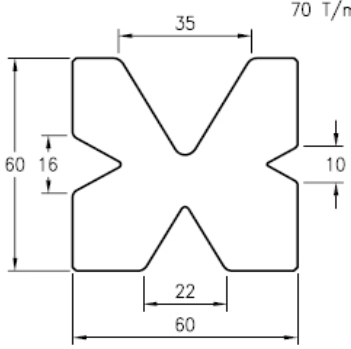


<b>503/88° - 90°</b>	<b>KG</b>	<b>PITUUS</b>	
	5	415 mm.	
	10	835 mm.	
	10	835 mm. palas.	
<b>504/88°</b>	<b>KG</b>	<b>PITUUS</b>	
	6	415 mm.	
	12	835 mm.	
	12	835 mm. palas.	
<b>505/88°</b>	<b>KG</b>	<b>PITUUS</b>	
	6	415 mm.	
	12	835 mm.	
	12	835 mm. palas.	
<b>506/88°</b>	<b>KG</b>	<b>PITUUS</b>	
	6	415 mm.	
	12	835 mm.	
	12	835 mm. palas.	



<b>320/88° - 90°</b>	<b>KG</b>	<b>PITUUS</b>	
<p>95 T/m</p>	<p>1,7</p> <p>2,5</p> <p>2,5</p>	<p>415 mm.</p> <p>835 mm.</p> <p>835 mm. palas.</p>	
<b>321/88° - 90°</b>	<b>KG</b>	<b>PITUUS</b>	
<p>95 T/m</p>	<p>1,7</p> <p>2,5</p> <p>2,5</p>	<p>415 mm.</p> <p>835 mm.</p> <p>835 mm. palas.</p>	
<b>322/88° - 323/90°</b>	<b>KG</b>	<b>PITUUS</b>	
<p>95 T/m</p>	<p>1,8</p> <p>2,7</p> <p>2,7</p>	<p>415 mm.</p> <p>835 mm.</p> <p>835 mm. palas.</p>	
<b>326/88° - 324/90°</b>	<b>KG</b>	<b>PITUUS</b>	
<p>95 T/m</p>	<p>2</p> <p>4</p> <p>4</p>	<p>415 mm.</p> <p>835 mm.</p> <p>835 mm. palas.</p>	



<b>325/88°</b>	<b>KG</b>	<b>PITUUS</b>	
 <p>95 T/m</p>	<p>2</p> <p>4,5</p> <p>4,5</p>	<p>415 mm.</p> <p>835 mm.</p> <p>835 mm. palas.</p>	
<b>330</b>	<b>KG</b>	<b>PITUUS</b>	
	<p>6,5</p> <p>13,5</p>	<p>415 mm.</p> <p>835 mm.</p>	
<b>20.09/60°</b>	<b>KG</b>	<b>PITUUS</b>	
 <p>70 T/m</p>	<p>9</p> <p>18</p> <p>18</p>	<p>415 mm.</p> <p>835 mm.</p> <p>835 mm. palas.</p>	



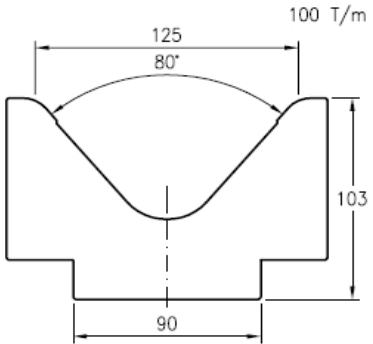
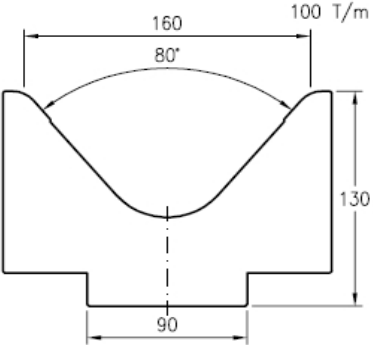
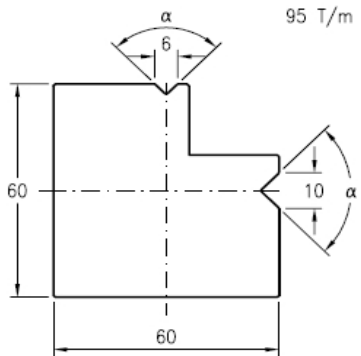
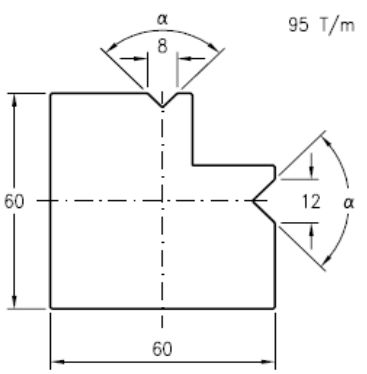
<b>20:09</b>	<b>KG</b>	<b>PITUUS</b>	
	<p>8</p> <p>16</p> <p>16</p>	<p>415 mm.</p> <p>835 mm.</p> <p>835 mm. palas.</p>	
<b>20:08</b>	<b>KG</b>	<b>PITUUS</b>	
	<p>11</p> <p>22</p> <p>22</p>	<p>415 mm.</p> <p>835 mm.</p> <p>835 mm. palas.</p>	
<b>20.11/32</b>	<b>KG</b>	<b>PITUUS</b>	
	<p>11</p> <p>22</p> <p>22</p>	<p>415 mm.</p> <p>835 mm.</p> <p>835 mm. palas.</p>	
<b>20.11/40</b>	<b>KG</b>	<b>PITUUS</b>	
	<p>10</p> <p>21</p> <p>21</p>	<p>415 mm.</p> <p>835 mm.</p> <p>835 mm. palas.</p>	



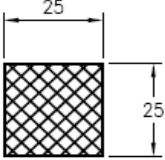
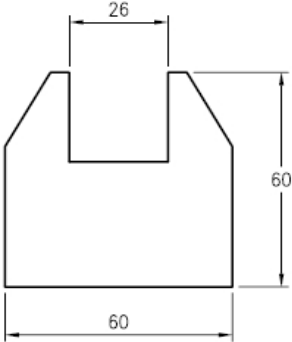
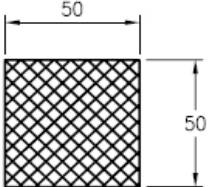
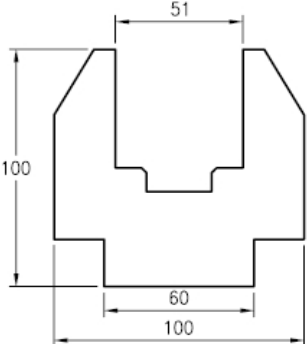


<b>20.11/50</b>	<b>KG</b>	<b>PITUUS</b>	
	10	415 mm.	
	21	835 mm.	
	21	835 mm. palas.	
<b>20.11/63</b>	<b>KG</b>	<b>PITUUS</b>	
	14,5	415 mm.	
	29	835 mm.	
	29	835 mm. palas.	
<b>20.11/80</b>	<b>KG</b>	<b>PITUUS</b>	
	17,5	415 mm.	
	35	835 mm.	
	35	835 mm. palas.	
<b>20.11/100</b>	<b>KG</b>	<b>PITUUS</b>	
	23	415 mm.	
	46	835 mm.	
	46		

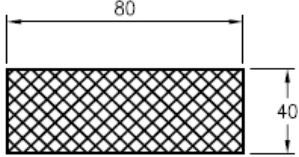
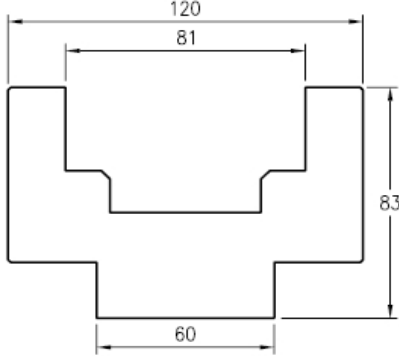
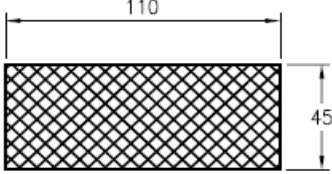
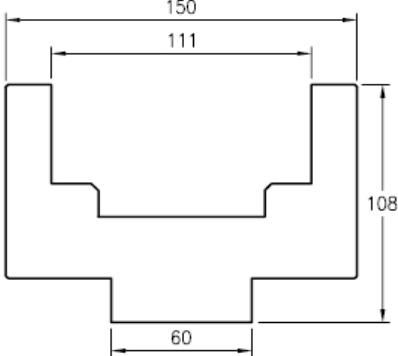


20.11/125	KG	PITUUS	
	<p>35</p> <p>70</p>	<p>415 mm.</p> <p>835 mm.</p>	
20.11/160	KG	PITUUS	
	<p>53</p> <p>106</p>	<p>415 mm.</p> <p>835 mm.</p>	
2016/88° - 90°	KG	PITUUS	
	<p>12</p> <p>24</p> <p>24</p>	<p>415 mm.</p> <p>835 mm.</p> <p>835 mm. palas.</p>	
2017/88° - 90°	KG	PITUUS	
	<p>12</p> <p>24</p> <p>24</p>	<p>415 mm.</p> <p>835 mm.</p> <p>835 mm. palas.</p>	



61.1	KG	PITUUS	
	0,5  1	415 mm.  835 mm.	
60.1	KG	PITUUS	
	10,5  21	415 mm.  835 mm.	
61.3	KG	PITUUS	
	1,5  3	415 mm.  835 mm.	
60.3	KG	PITUUS	
	22,5  45	415 mm.  835 mm.	

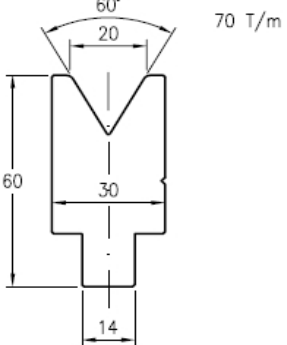
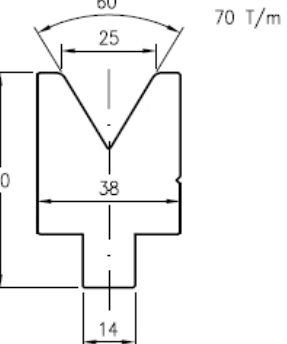
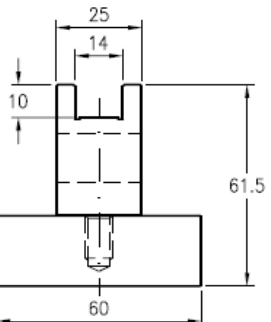
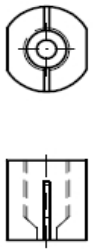


<b>61.4</b>	<b>KG</b>	<b>PITUUS</b>	
	<p>1,5</p> <p>3</p>	<p>415 mm.</p> <p>835 mm.</p>	
<b>60.4</b>	<b>KG</b>	<b>PITUUS</b>	
	<p>27,5</p> <p>55</p>	<p>415 mm.</p> <p>835 mm.</p>	
<b>61.5</b>	<b>KG</b>	<b>PITUUS</b>	
	<p>1,5</p> <p>3</p>	<p>415 mm.</p> <p>835 mm.</p>	
<b>60.5</b>	<b>KG</b>	<b>PITUUS</b>	
	<p>31</p> <p>62</p>	<p>415 mm.</p> <p>835 mm.</p>	

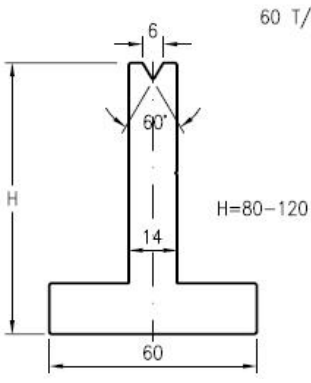
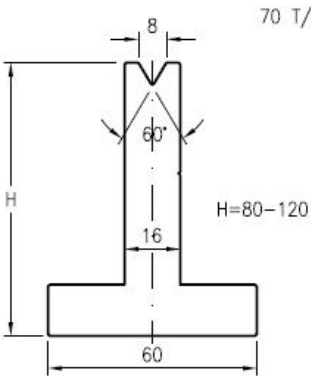
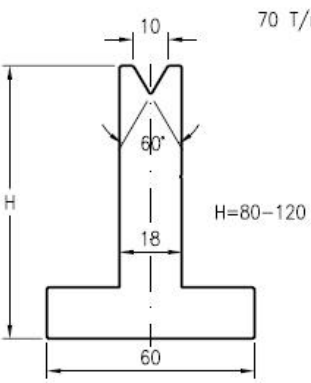
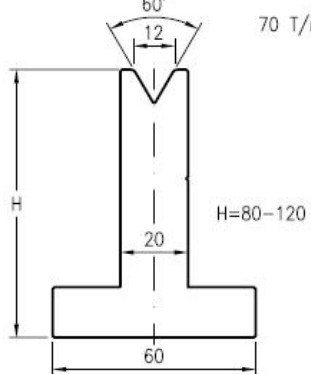


<b>70.60 - 71.60</b>	<b>KG</b>	<b>PITUUS</b>							
<p>70.60 60 T/m 71.60 70 T/m</p> <table border="1"> <tr> <td>70.60</td> <td>71.60</td> </tr> <tr> <td>V X</td> <td>V X</td> </tr> <tr> <td>6 15</td> <td>8 16</td> </tr> </table>	70.60	71.60	V X	V X	6 15	8 16	<p>3</p> <p>6</p> <p>6</p>	<p>415 mm.</p> <p>835 mm.</p> <p>835 mm. palas.</p>	
70.60	71.60								
V X	V X								
6 15	8 16								
<b>73.60 - 75.60</b>	<b>KG</b>	<b>PITUUS</b>							
<p>70 T/m</p> <table border="1"> <tr> <td>73.60</td> <td>75.60</td> </tr> <tr> <td>V X</td> <td>V X</td> </tr> <tr> <td>10 18</td> <td>12 18</td> </tr> </table>	73.60	75.60	V X	V X	10 18	12 18	<p>3</p> <p>6</p> <p>6</p>	<p>415 mm.</p> <p>835 mm.</p> <p>835 mm. palas.</p>	
73.60	75.60								
V X	V X								
10 18	12 18								
<b>77.60</b>	<b>KG</b>	<b>PITUUS</b>							
<p>70 T/m</p> <table border="1"> <tr> <td>77.60</td> </tr> <tr> <td>V X</td> </tr> <tr> <td>16 24</td> </tr> </table>	77.60	V X	16 24	<p>4</p> <p>8</p> <p>8</p>	<p>415 mm.</p> <p>835 mm.</p> <p>835 mm. palas.</p>				
77.60									
V X									
16 24									
<b>78.60</b>	<b>KG</b>	<b>PITUUS</b>							
<p>70 T/m</p> <table border="1"> <tr> <td>78.60</td> </tr> <tr> <td>V X</td> </tr> <tr> <td>18 28</td> </tr> </table>	78.60	V X	18 28	<p>4</p> <p>8</p> <p>8</p>	<p>415 mm.</p> <p>835 mm.</p> <p>835 mm. palas.</p>				
78.60									
V X									
18 28									



<b>79.60</b>	<b>KG</b>	<b>PITUUS</b>	
	<p>3</p> <p>6</p> <p>6</p>	<p>415 mm.</p> <p>835 mm.</p> <p>835 mm. palas.</p>	
<b>80.60</b>	<b>KG</b>	<b>PITUUS</b>	
	<p>6</p> <p>12</p> <p>12</p>	<p>415 mm.</p> <p>835 mm.</p> <p>835 mm. palas.</p>	
<b>40.14</b>	<b>KG</b>	<b>PITUUS</b>	
	<p>18</p> <p>21</p>	<p>1050 mm.</p> <p>1260 mm.</p>	
<b>40.14 - TIBS</b>	<b>KG</b>	<b>PITUUS</b>	
			



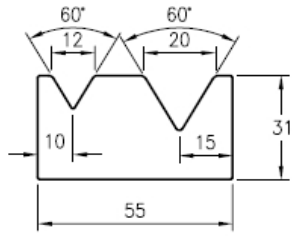
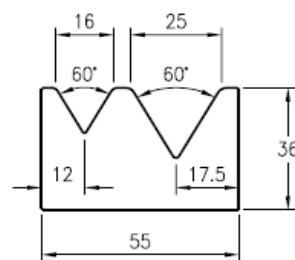
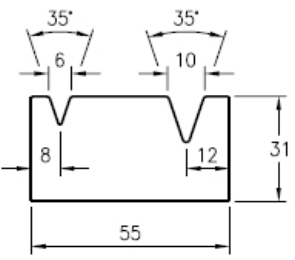
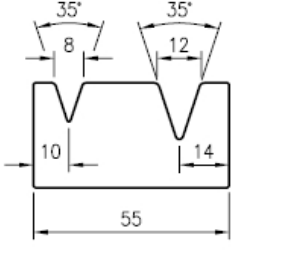
20.41/60°	KG	PITUUS	
	<p>7</p> <p>14</p> <p>14</p> <p>11</p> <p>22</p> <p>22</p>	<p>H= 80 mm.</p> <p>415 mm.</p> <p>835 mm.</p> <p>835 mm. palas.</p> <p>H= 120 mm.</p> <p>415 mm.</p> <p>835 mm.</p> <p>835 mm. palas.</p>	
20.42/60°	KG	PITUUS	
	<p>7</p> <p>14</p> <p>14</p> <p>11</p> <p>22</p> <p>22</p>	<p>H= 80 mm.</p> <p>415 mm.</p> <p>835 mm.</p> <p>835 mm. palas.</p> <p>H= 120 mm.</p> <p>415 mm.</p> <p>835 mm.</p> <p>835 mm. palas.</p>	
20.43/60°	KG	PITUUS	
	<p>7,5</p> <p>15</p> <p>15</p> <p>11,5</p> <p>23</p> <p>23</p>	<p>H= 80 mm.</p> <p>415 mm.</p> <p>835 mm.</p> <p>835 mm. palas.</p> <p>H= 120 mm.</p> <p>415 mm.</p> <p>835 mm.</p> <p>835 mm. palas.</p>	
20.44/60°	KG	PITUUS	
	<p>7,5</p> <p>15</p> <p>15</p> <p>11,5</p> <p>23</p> <p>23</p>	<p>H= 80 mm.</p> <p>415 mm.</p> <p>835 mm.</p> <p>835 mm. palas.</p> <p>H= 120 mm.</p> <p>415 mm.</p> <p>835 mm.</p> <p>835 mm. palas.</p>	



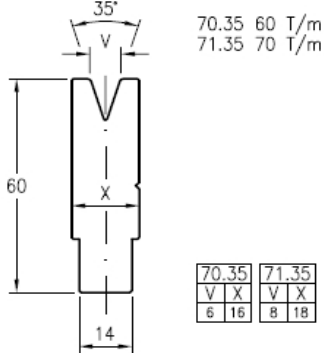
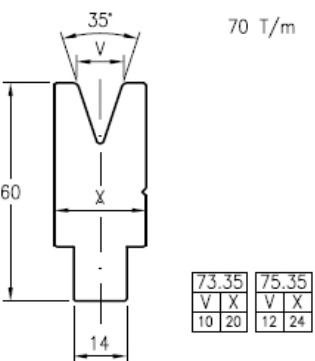
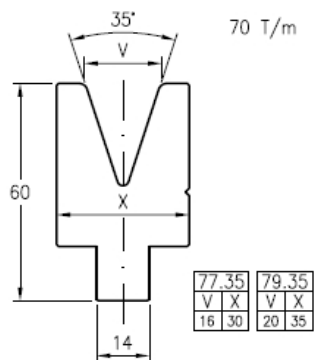
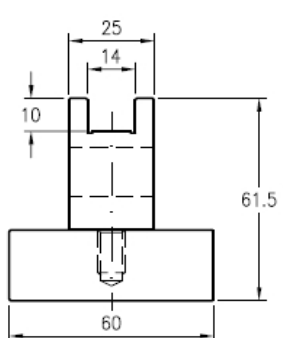
20.45/60°	KG	PITUUS	
	8 16 16  12 24 24	H= 80 mm. 415 mm. 835 mm. 835 mm. palas.  H= 120 mm. 415 mm. 835 mm. 835 mm. palas.	
20.46/60°	KG	PITUUS	
	9 18 18  13,5 27 27	H= 80 mm. 415 mm. 835 mm. 835 mm. palas.  H= 120 mm. 415 mm. 835 mm. 835 mm. palas.	
20.12/60°	KG	PITUUS	
	4,5  9	415 mm.  835 mm.	
20.13/60°	KG	PITUUS	
	4,5  9	415 mm.  835 mm.	





20.14/60°	KG	PITUUS	
<p>70 T/m</p> 	4,5 9	415 mm. 835 mm.	
20.15/60°	KG	PITUUS	
<p>70 T/m</p> 	4,5 9	415 mm. 835 mm.	
20.12/35°	KG	PITUUS	
<p>70 T/m</p> 	4,5 9	415 mm. 835 mm.	
20.13/35°	KG	PITUUS	
<p>70 T/m</p> 	4,5 9	415 mm. 835 mm.	

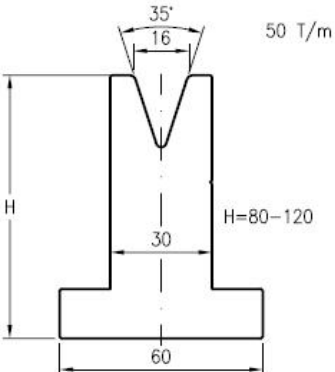
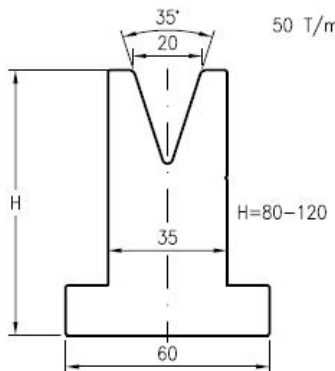


70.35 - 71.35	KG	PITUUS							
 <p>70.35 60 T/m 71.35 70 T/m</p> <table border="1" data-bbox="448 600 571 663"> <tr> <td>70.35</td> <td>71.35</td> </tr> <tr> <td>V   X</td> <td>V   X</td> </tr> <tr> <td>6   16</td> <td>8   18</td> </tr> </table>	70.35	71.35	V   X	V   X	6   16	8   18	<p>3</p> <p>6</p> <p>6</p>	<p>415 mm.</p> <p>835 mm.</p> <p>835 mm. palas.</p>	
70.35	71.35								
V   X	V   X								
6   16	8   18								
73.35 - 75.35	KG	PITUUS							
 <p>70 T/m</p> <table border="1" data-bbox="448 1032 571 1095"> <tr> <td>73.35</td> <td>75.35</td> </tr> <tr> <td>V   X</td> <td>V   X</td> </tr> <tr> <td>10   20</td> <td>12   24</td> </tr> </table>	73.35	75.35	V   X	V   X	10   20	12   24	<p>3</p> <p>6</p> <p>6</p>	<p>415 mm.</p> <p>835 mm.</p> <p>835 mm. palas.</p>	
73.35	75.35								
V   X	V   X								
10   20	12   24								
77.35 - 79.35	KG	PITUUS							
 <p>70 T/m</p> <table border="1" data-bbox="448 1458 571 1520"> <tr> <td>77.35</td> <td>79.35</td> </tr> <tr> <td>V   X</td> <td>V   X</td> </tr> <tr> <td>16   30</td> <td>20   35</td> </tr> </table>	77.35	79.35	V   X	V   X	16   30	20   35	<p>4</p> <p>8</p> <p>8</p>	<p>415 mm.</p> <p>835 mm.</p> <p>835 mm. palas.</p>	
77.35	79.35								
V   X	V   X								
16   30	20   35								
40.14	KG	PITUUS							
	<p>18</p> <p>21</p>	<p>1050 mm.</p> <p>1260 mm.</p>							



<b>20.41/35°</b>	<b>KG</b>	<b>PITUUS</b>
	7,5	H= 80 mm. 415 mm.
	15	835 mm.
	15	835 mm. palas.
		H= 120 mm.
	11,5	415 mm.
	23	835 mm.
	23	835 mm. palas.
<b>20.42/35°</b>	<b>KG</b>	<b>PITUUS</b>
	7,5	H= 80 mm. 415 mm.
	15	835 mm.
	15	835 mm. palas.
		H= 120 mm.
	11,5	415 mm.
	23	835 mm.
	23	835 mm. palas.
<b>20.43/35°</b>	<b>KG</b>	<b>PITUUS</b>
	8	H= 80 mm. 415 mm.
	16	835 mm.
	16	835 mm. palas.
		H= 120 mm.
	12	415 mm.
	24	835 mm.
	24	835 mm. palas.
<b>20.44/35°</b>	<b>KG</b>	<b>PITUUS</b>
	8	H= 80 mm. 415 mm.
	16	835 mm.
	16	835 mm. palas.
		H= 120 mm.
	24	415 mm.
	24	835 mm.
	24	835 mm. palas.



20.45/35°	KG	PITUUS	
	8,5 17 17  12,5 25 25	H= 80 mm. 415 mm. 835 mm. 835 mm. palas.  H= 120 mm. 415 mm. 835 mm. 835 mm. palas.	
20.46/35°	KG	PITUUS	
	9,5 19 19  13,5 27 27	H= 80 mm. 415 mm. 835 mm. 835 mm. palas.  H= 120 mm. 415 mm. 835 mm. 835 mm. palas.	

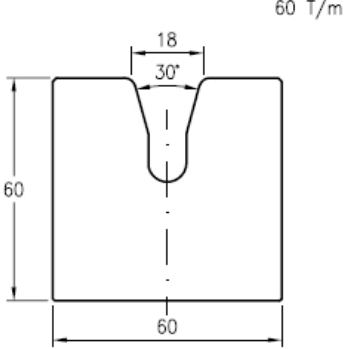
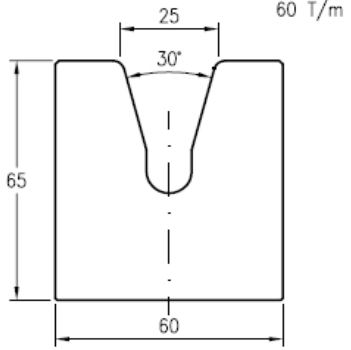
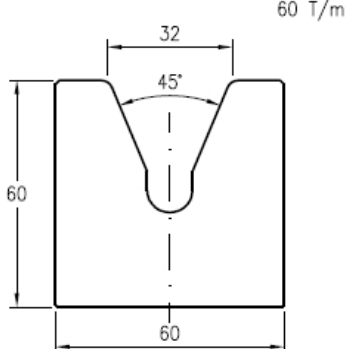
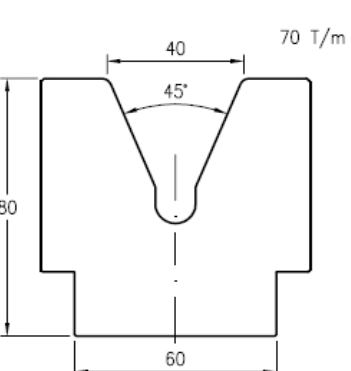


<b>20.30/35°</b>	<b>KG</b>	<b>PITUUS</b>	
	7	415 mm.	
	14,5	835 mm.	
	14,5	835 mm. palas.	
<b>20.32/35°</b>	<b>KG</b>	<b>PITUUS</b>	
	7,5	415 mm.	
	15	835 mm.	
	15	835 mm. palas.	
<b>20.33/35°</b>	<b>KG</b>	<b>PITUUS</b>	
	8	415 mm.	
	16	835 mm.	
	16	835 mm. palas.	
<b>20.34/35°</b>	<b>KG</b>	<b>PITUUS</b>	
	8	415 mm.	
	16	835 mm.	
	16	835 mm. palas.	



20.35/35°	KG	PITUUS	
	<p>8,5</p> <p>17</p> <p>17</p>	<p>415 mm.</p> <p>835 mm.</p> <p>835 mm. palas.</p>	
20.36/35°	KG	PITUUS	
	<p>9,5</p> <p>19</p> <p>19</p>	<p>415 mm.</p> <p>835 mm.</p> <p>835 mm. palas.</p>	
20.30 - T	KG	PITUUS	
	<p>8</p> <p>16</p>	<p>418 mm.</p> <p>840 mm.</p>	



340	KG	PITUUS	
	<p>10</p> <p>20</p> <p>20</p>	<p>415 mm.</p> <p>835 mm.</p> <p>835 mm. palas.</p>	
341	KG	PITUUS	
	<p>11</p> <p>22</p> <p>22</p>	<p>415 mm.</p> <p>835 mm.</p> <p>835 mm. palas.</p>	
342	KG	PITUUS	
	<p>10</p> <p>20</p> <p>20</p>	<p>415 mm.</p> <p>835 mm.</p> <p>835 mm. palas.</p>	
343	KG	PITUUS	
	<p>15</p> <p>30</p> <p>30</p>	<p>415 mm.</p> <p>835 mm.</p> <p>835 mm. palas.</p>	



<b>30.02/6</b>	<b>KG</b>	<b>PITUUS</b>	
	20  40	415 mm.  835 mm.	
<b>30.02/8</b>	<b>KG</b>	<b>PITUUS</b>	
	20  40	415 mm.  835 mm.	
<b>30.01/6 30.01/8</b>	<b>KG</b>	<b>PITUUS</b>	
	17,5  35	415 mm.  835 mm.	
<b>30.01/10 30.01/12</b>	<b>KG</b>	<b>PITUUS</b>	
	21 42  21 42	V=10  415 mm. 835 mm.  V=12  415 mm. 835 mm.	



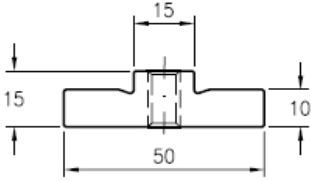
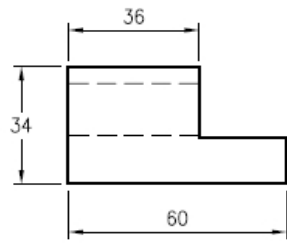
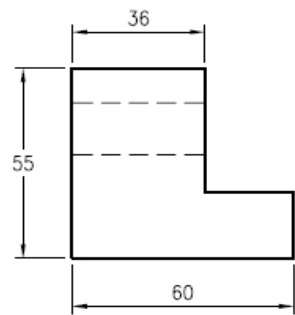
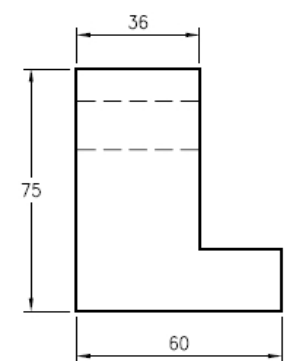


30.02/6 PNEUMATIC	KG	PITUUS	
	20  40	415 mm.  835 mm.  KIT	
30.02/8 PNEUMATIC	KG	PITUUS	
	20  40	415 mm.  835 mm.  KIT	
30.01/6-8 PNEUMATIC	KG	PITUUS	
	17,5  35	415 mm.  835 mm.  KIT	
30.01/10-12 PNEUMATIC	KG	PITUUS	
	21 42  21 42	V=10 415 mm. 835 mm. KIT  V=12 415 mm. 835 mm. KIT	

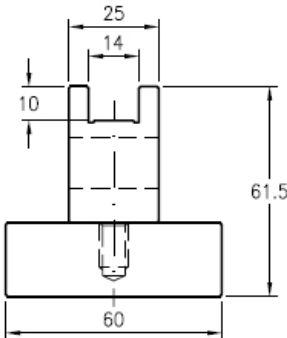
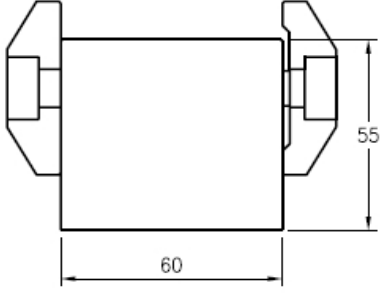
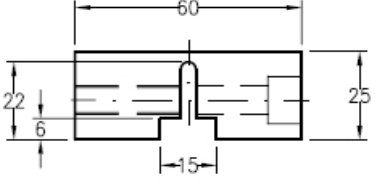


<b>40.05</b>	<b>KG</b>	<b>PITUUS</b>																			
	5 10	412 mm. 830 mm.																			
<b>40.02</b>	<b>KG</b>	<b>PITUUS</b>																			
	2,5 5	415 mm. 835 mm.																			
<b>40.09 (D=20/25/30/35/40)</b>	<b>KG</b>	<b>PITUUS</b>																			
<table border="1" data-bbox="247 1429 534 1568"> <tr> <td>D</td> <td>20</td> <td>25</td> <td>30</td> <td>35</td> <td>40</td> </tr> <tr> <td>H</td> <td>12</td> <td>17</td> <td>20</td> <td>22</td> <td>24</td> </tr> <tr> <td>H1</td> <td>16</td> <td>22</td> <td>27</td> <td>32</td> <td>34</td> </tr> </table>	D	20	25	30	35	40	H	12	17	20	22	24	H1	16	22	27	32	34	1 2 1,5 3 2 4,5 3 6 4 8	Ø20 x 415 mm. Ø20 x 835 mm. Ø25 x 415 mm. Ø25 x 835 mm. Ø30 x 415 mm. Ø30 x 835 mm. Ø35 x 415 mm. Ø35 x 835 mm. Ø40 x 415 mm. Ø40 x 835 mm.	
D	20	25	30	35	40																
H	12	17	20	22	24																
H1	16	22	27	32	34																
<b>40.09 (D=50/60/80/100)</b>	<b>KG</b>	<b>PITUUS</b>																			
<table border="1" data-bbox="279 1892 518 2027"> <tr> <td>D</td> <td>50</td> <td>60</td> <td>80</td> <td>100</td> </tr> <tr> <td>H</td> <td>29</td> <td>34</td> <td>44</td> <td>70</td> </tr> <tr> <td>H1</td> <td>39</td> <td>44</td> <td>54</td> <td>80</td> </tr> </table>	D	50	60	80	100	H	29	34	44	70	H1	39	44	54	80	6 12,5 9,5 19 15 30 25 50	Ø50 x 415 mm. Ø50 x 835 mm. Ø60 x 415 mm. Ø60 x 835 mm. Ø80 x 415 mm. Ø80 x 835 mm. Ø100 x 415 mm. Ø100 x 835 mm.				
D	50	60	80	100																	
H	29	34	44	70																	
H1	39	44	54	80																	

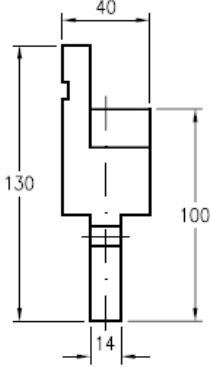
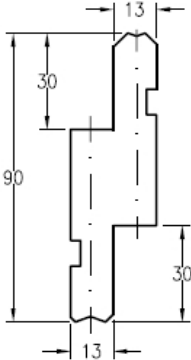
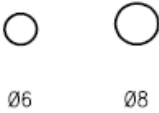
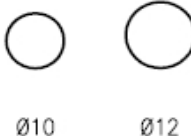


40.15	KG	PITUUS	
	2	415 mm.	
	4	835 mm.	
40.06	KG	PITUUS	
	4,5	412 mm.	
	9	830 mm.	
40.07/55	KG	PITUUS	
	7,5	412 mm.	
	15	830 mm.	
40.07/75	KG	PITUUS	
	8	412 mm.	
	16	830 mm.	

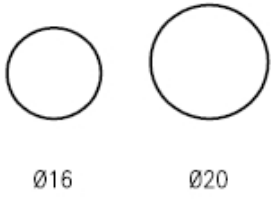
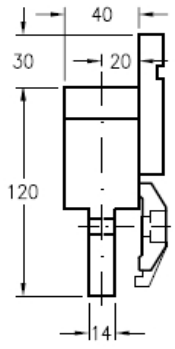


40.14	KG	PITUUS	
	18 21	1050 mm. 1260 mm.	
40.55	KG	PITUUS	
	11 22	415 mm. 835 mm.	
40.15 - TIBS	KG	PITUUS	
			

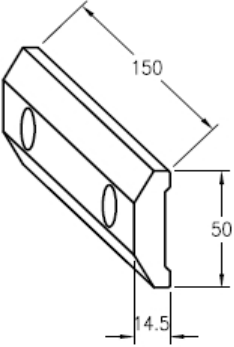
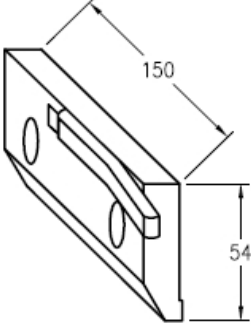
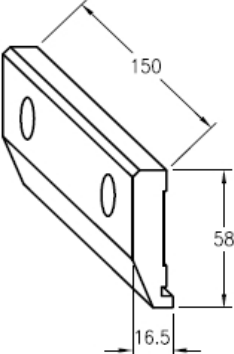
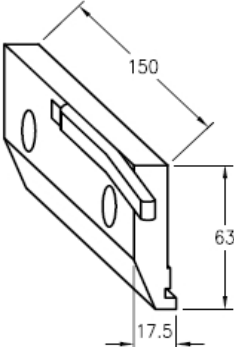


40.03	KG	PITUUS	
	3,5	150 mm. (Without clamp)	
40.30	KG	PITUUS	
	7,5 15 15	415 mm. 835 mm. 835 mm. palas.	
40.31 (D=6 - 8)	KG	PITUUS	
	0,5 1 1 0,5 1 1	Ø6 x 415 mm. Ø6 x 835 mm. Ø6 x 835 mm. SECT. Ø8 x 415 mm. Ø8 x 835 mm. Ø8 x 835 mm. SECT.	
40.31 (D=10 - 12)	KG	PITUUS	
	0,5 1 1 1 2 2	Ø10 x 415 mm. Ø10 x 835 mm. Ø10 x 835 mm. SECT. Ø12 x 415 mm. Ø12 x 835 mm. Ø12 x 835 mm. SECT.	

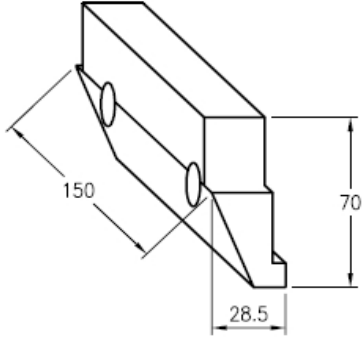
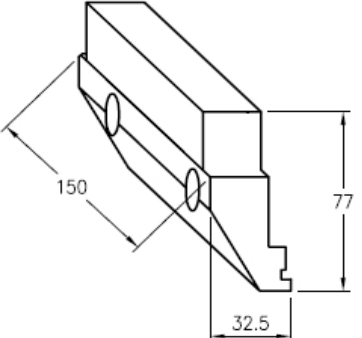


<b>40.31 (D=16 - 20)</b>	<b>KG</b>	<b>PITUUS</b>	
 <p>Ø16      Ø20</p>	1 2 2 1 2 2	Ø16 x 415 mm. Ø16 x 835 mm. Ø16 x 835 mm. SECT. Ø20 x 415 mm. Ø20 x 835 mm. Ø20 x 835 mm. SECT.	
<b>40.50</b>	<b>KG</b>	<b>PITUUS</b>	
	4,5	150 mm (without clamp)	



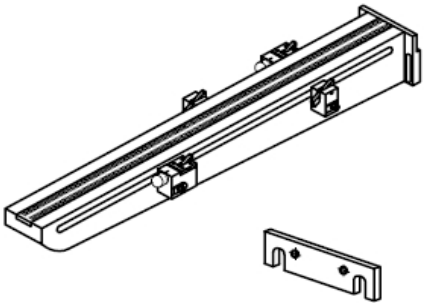
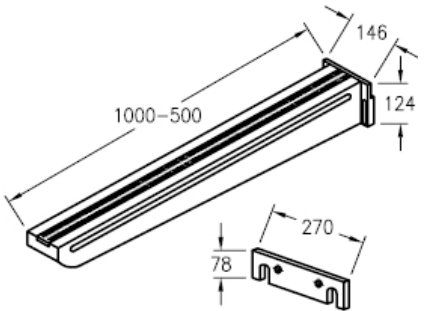
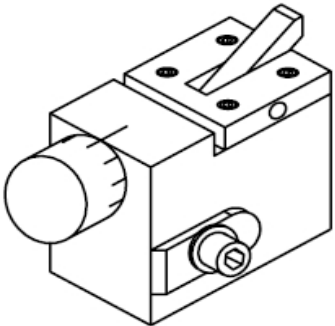
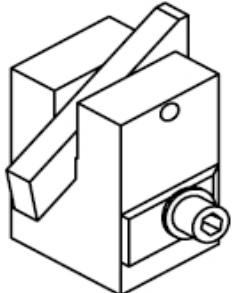
ST41	KG	PITUUS	
	0,5	150 mm.	
ST42	KG	PITUUS	
	0,5	150 mm.	
ST43	KG	PITUUS	
	0,5	150 mm.	
ST44	KG	PITUUS	
	0,5	150 mm.	



ST45	KG	PITUUS	
	0,8	150 mm.	
ST46	KG	PITUUS	
	0,8	150 mm.	





<p><b>RR40.00 (COMPLETO)</b></p> 	<p><b>KG</b></p> <p>9 19</p>	<p><b>PITUUS</b></p> <p>500 mm. 1000 mm.</p>	
<p><b>RR40.00</b></p> 	<p><b>KG</b></p> <p>8 15</p>	<p><b>PITUUS</b></p> <p>SOLO BRACCIO ARM ONLY</p> <p>412 mm. 830 mm.</p> <p>STAFFA (CLAMP) x 270 mm.</p>	
<p><b>Carrellino micrometrico</b></p> <p>PR4000MICR</p> 	<p><b>KG</b></p> <p>1,5</p>	<p><b>PITUUS</b></p>	
<p><b>Carrellino normale</b></p> <p>PR4000NORM</p> 	<p><b>KG</b></p> <p>0,5</p>	<p><b>PITUUS</b></p>	

